

Model: ADOS-1336D960H

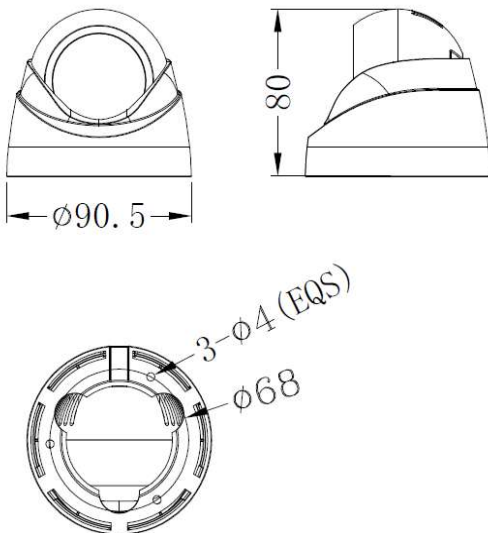
1.3 Megapixel 960P Dome IR AHD/CVI/TVI/CVBS Bullet Cameras



Key features

- ◆ 1/3" SONY 1.3MP CMOS Sensor
- ◆ 25/30fps@1080P, 25/30fps@720P
- ◆ Resolution 1.3MP, 1280x960
- ◆ Video Transmission 300meters
- ◆ IR Range 15-20m
- ◆ OSD Menu, control over coaxial cable
- ◆ IP66 AC24V/DC12V
- ◆ 120dB WDR, Day/Night(ICR), AWB, AGC, BLC, 3DNR,UTC,OSD

Dimension(mm)



Specifications

CAMERA	
Image Sensor	IMX225
DSP	HTC960
Image Sensor	1/3" SONY 1.3MP CMOS Sensor
Signal System	PAL/NTSC
Min. illumination	0.01Lux @ (F1.2,AGC ON),0 Lux with IR 0.05Lux @ (F1.4,AGC ON),0 Lux with IR
SN	≥50dB
Day & Night	ICR
Shutter Speed	PAL:1/50-1/50000 NTSC:1/60-1/60000
Wide Dynamic Range	dWDR, OFF/ON(Level 0-8)/Auto
Digital Noise Reduction	2D/3D
Lens	3.6 mm(optional 2.8mm,6mm)
FOV	89°~ 35°
IR LED	14miu*18pcs
IR Wavelength	850nm
IR Range	15-20m
IMAGE	
Effective Resolution	1280x960
Frame	PAL:25fps ,NTSC:30fps
White Balance	ATW/AWC-SET/Indoor/Outdoor/MANUAL
Gain	Level 0-15
Light Compensation	BLC/HLC/OFF
VIDEO OUTPUT	
Max Distance	>300m, 75-5
Output Interface	1ch HD Coaxial
GENERAL	
Power Supply	AC24V±25% / DC12V±25%
Power Consumption	Max 16.6W Max 22.9W
Operating Temperature	-20℃~+55℃
Operating Humidity	0% - 85% RH
Ingress Protection	Non
Approvals	CE / FCC / RoHS / SGS/KC
Material	Plastic
Product Dimensions	90.5(W) x 80(H) x 80(D)mm
Product Weight	300g